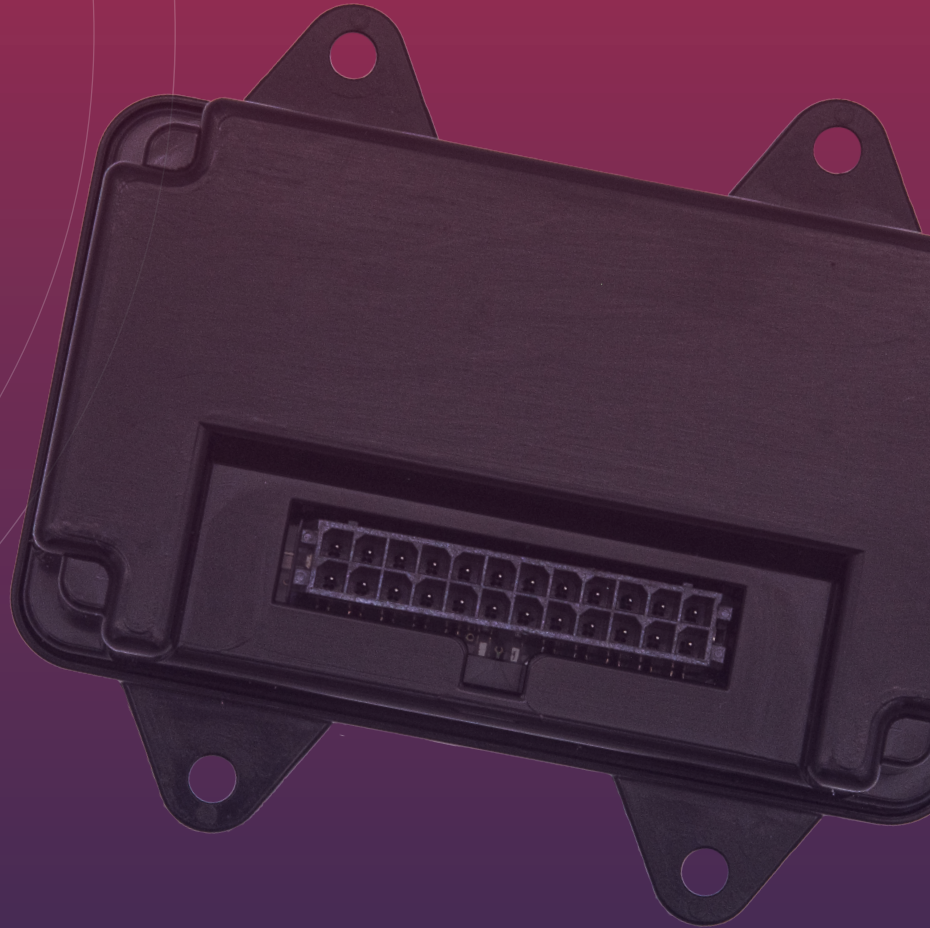


SCM

Single CAN Module



SCM

Single CAN Module

The SCM is a unique product that combines a wide range of customization possibilities with the latest technology on the market. This device could control either the HVAC system or special thermal applications.

This device allows you to manage the following aspects:

- To control the HVAC/Thermal Management systems with fully customizable strategies and algorithms;
- To control customer specific systems, upon request;
- To control loads in high/low side up to 500mA, with diagnostics on each output;
- To communicate via CAN-Bus protocols upon request with configurable baud rate; LIN Bus master or slave also available;
- To connect multiple ECUs to allow input/output extensions upon request;
- To generate multiple PWM signals to drive specific equipment as electronic blower controller, electric compressors, condenser fans, electric heaters etc.

COMES Software and Tooling solutions, such as Diagnostic Data Acquisition, customizable CAN-bootloader and customizable CAN-interface, are available.

GENERAL PERFORMANCE, ELECTRICAL AND ENVIRONMENTAL TESTS

Operating Voltage Range:	9 ÷ 32VDC
Operating Temperature Range:	from -40°C to 85°C
Storage Temperature Range:	from -40°C to 90°C
Dust/Water Resistance:	IP4X
Electromagnetic Compatibility according to UNECE Regulation No.10	

STANDARD INPUTS/OUTPUTS

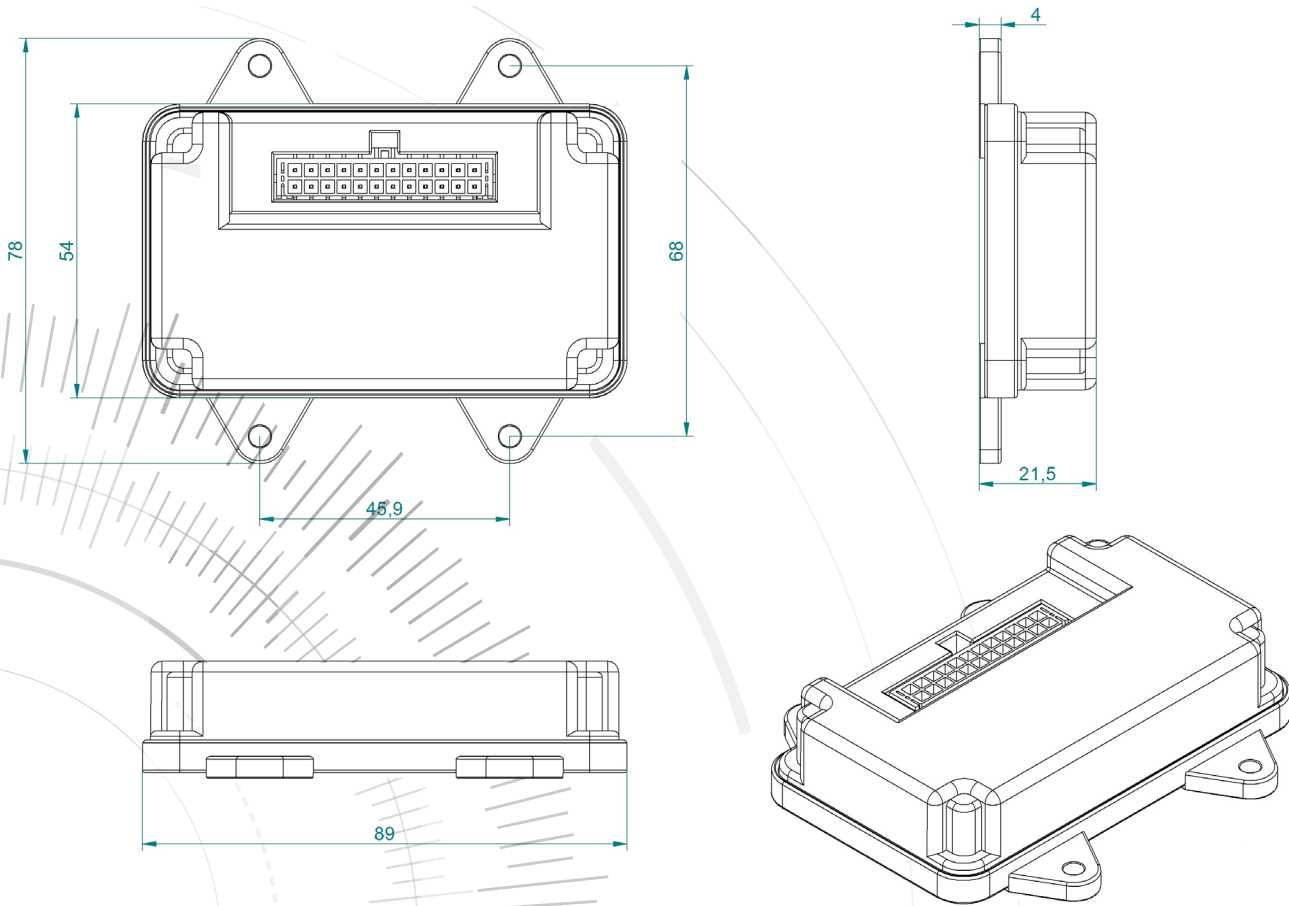
- 9 Digital outputs with diagnostics for underload/overload
- 5 Analog inputs 10bit
- 3 Digital inputs
- 2 Linear outputs or PWM
- 1 CAN BUS up to 1Mbit/s
- 1 LIN Bus up to 19.2Kbit/s

ADDITIONAL FEATURES

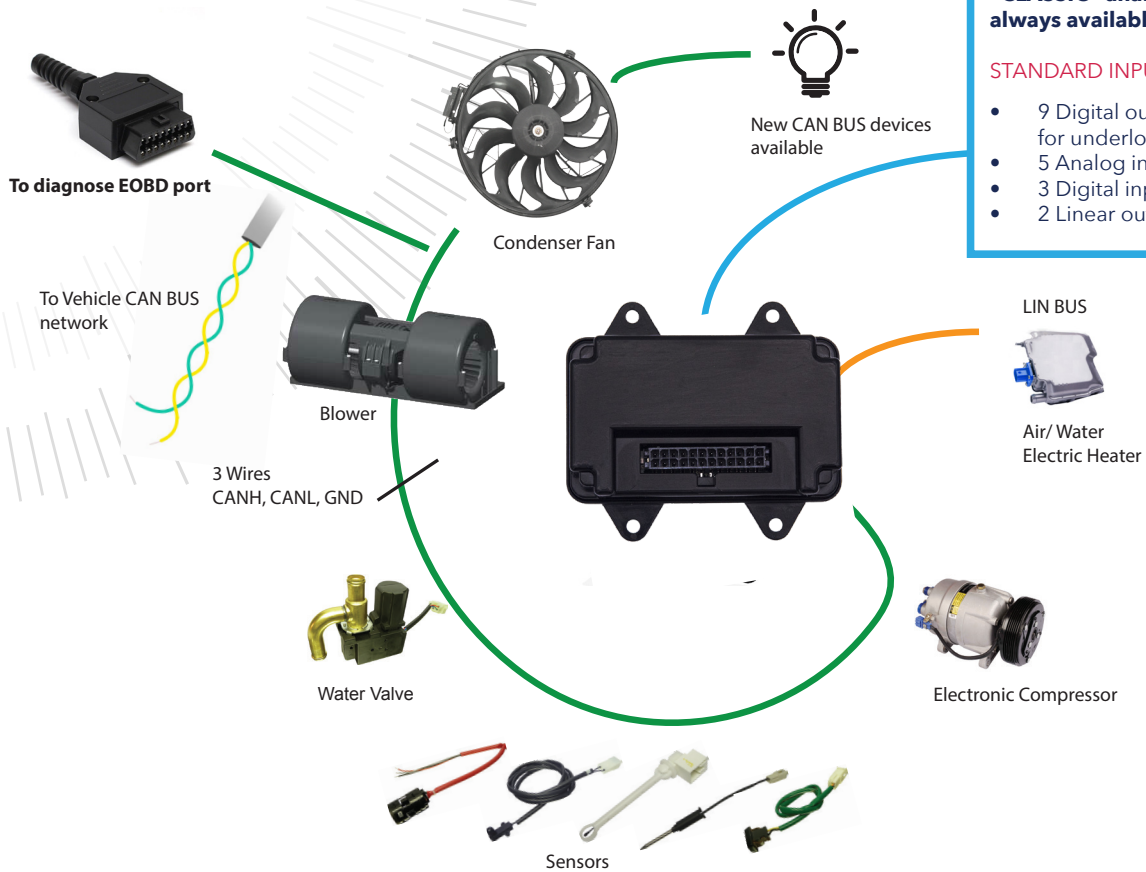
- Applications FW adaptable to different systems, fully parametrized and customizable for HVAC or customer equipment
- Based on the 32-bit Arm® Cortex® M0+64Kb program flash
- Customized COMES tooling for flashing application FW onto ECU via CAN BUS and USB-CAN BUS adapter
- Specific customer interface with security access available upon request
- Customized and adaptable diagnostic CAN BUS interface, graphics and log capable to fully monitor ECU behavior, parameters, fault etc.



MECHANICAL DIMENSIONS



ELECTRICAL CONNECTIONS



"CLASSIC" analog/digital IN/OUT always available, if required

STANDARD INPUTS/OUTPUTS

- 9 Digital outputs with diagnostic for underload/overload
- 5 Analog inputs 10bit
- 3 Digital inputs
- 2 Linear outputs or PWM



COMES Electronic Climate Control
Via Don Fracassi 25/27
20008 Bareggio - Milano - Italy

P +39 02 90361787
E info@comesclima.it
W www.comesclima.it