

OKL

One Knob Line



COMES
ELECTRONIC CLIMATE CONTROL

OKL

One Knob Line

COMES know-how has been acquired over 40 years of activity in the automotive field. Our story starts in the mid-70s with the development and manufacture of entire climate systems mainly for passenger cars, systems which were integrated with Electronic Climate Control Units from the mid-80s onwards. In the past 20 years we have been focusing on the development and production of Electronic Climate Control Systems, which are now our core business, and we have expanded their area of application to virtually any kind of vehicle on the market.

We offer flexible solutions suitable for different applications, in regard of this we are glad to present our new product. One Knob Line (OKL) that will be part of the Free Market Line.

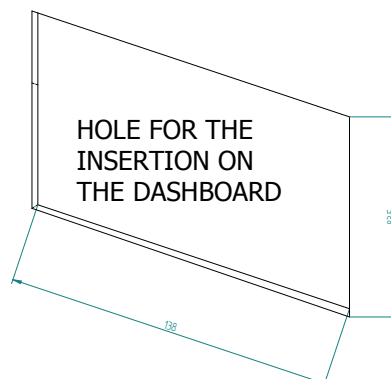
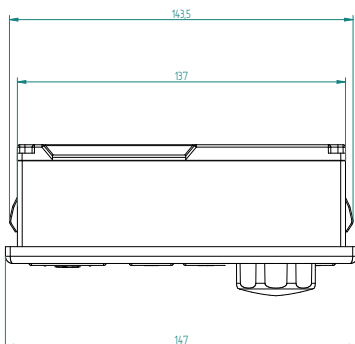
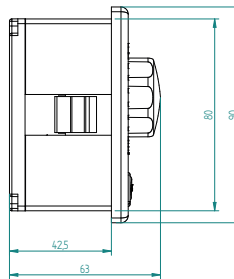
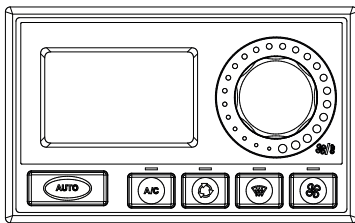
The One Knob Line combines a modern design with our consolidated technology and has been developed to be adaptable to specific customer needs.

The control unit is fully backlit (all functions of the control unit, including the knobs, are backlit to allow the user to easily find them in the hours of darkness).

GENERAL PERFORMANCE, ELECTRONICAL AND ENVIRONMENTAL TESTS

Operating Voltage Range:	9÷16V / 18÷32V
Nominal Power Supply Voltage:	12V / 24V
Output Rated Current, each pin:	max 400mA
Operating Temperature Range:	from -40°C to 85°C
Storage Temperature Range:	from -40°C to 90°C
Dust/Water Resistance on the Front Panel:	IP56
Electromagnetic Compatibility according to UNECE Regulation No.10	
Over Voltage Protection	
Reverse Polarity Protection	
Short Circuit Protection	

MECHANICAL DIMENSIONS





Automatic Control Unit - DC Motor Water Valve - Electronic Blower Speed Regulator

PART NUMBER	P/N 12V	P/N 24V
Control Unit	V02.80.002	V02.80.002
Compleat Kit (Relay not included)	Z01.80.001	Z01.80.002

FUNCTIONAL OVERVIEW

The control unit features one control knob, five push buttons and a display, as below:

- Control knob which alternatively manages the air flow or the desired temperature (the speed control ventilation is supplied with electronic blower speed regulator)
- AUTO push button for automatic mode
- Air conditioning push button
- Recirculation push button
- Defroster push button
- Fan switch push button (when pressed, the control knob manages the ventilation speed rather than the desired temperature)
- LCD: customised icons, available in both TN Transflective Positive (amber or white backlight), and FSTN Transflective Negative (blue backlight)

When activating a function, the relevant LED is switched on, except for the AUTO function (in this case the relevant icon becomes visible on the display).

The software mathematical model receives information from four different temperature sensors:

- Cabin air sensor (internal)
- Outside air sensor (external)
- Anti-icing temperature sensor
- Analog pressure sensor



COMES Electronic Climate Control
Via Don Fracassi 25/27
20008 Bareggio - Milano - Italy

P +39 02 90361787
E info@comesclima.it
W www.comesclima.it