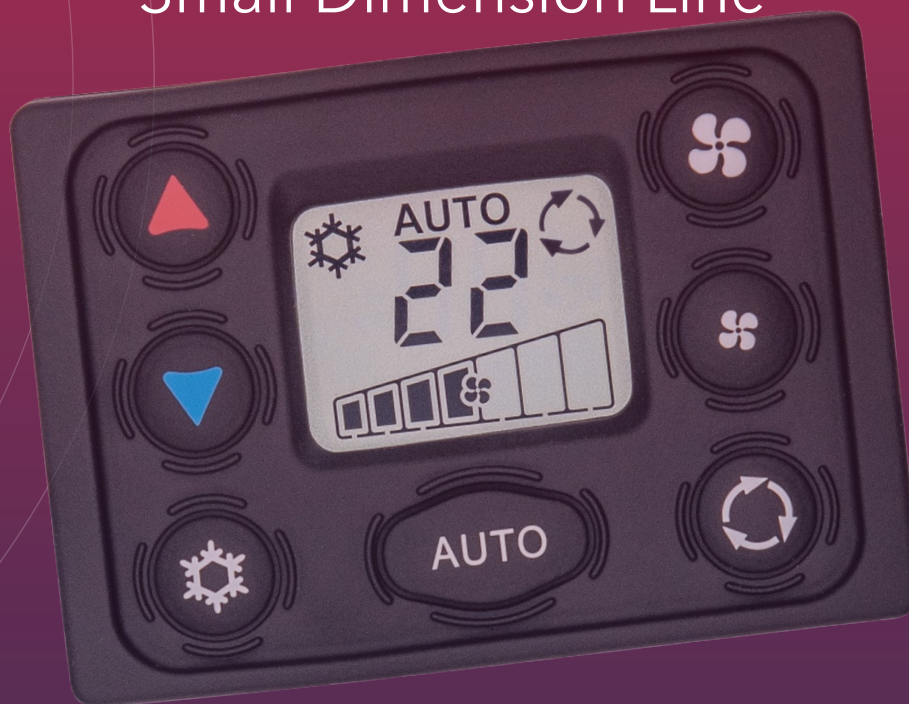


# SDL

Small Dimension Line



**COMES**  
ELECTRONIC CLIMATE CONTROL

# SDL

## Small Dimension Line

This particular line of automatic control units has been developed to be fitted in small available sections on the dashboard of the vehicle.

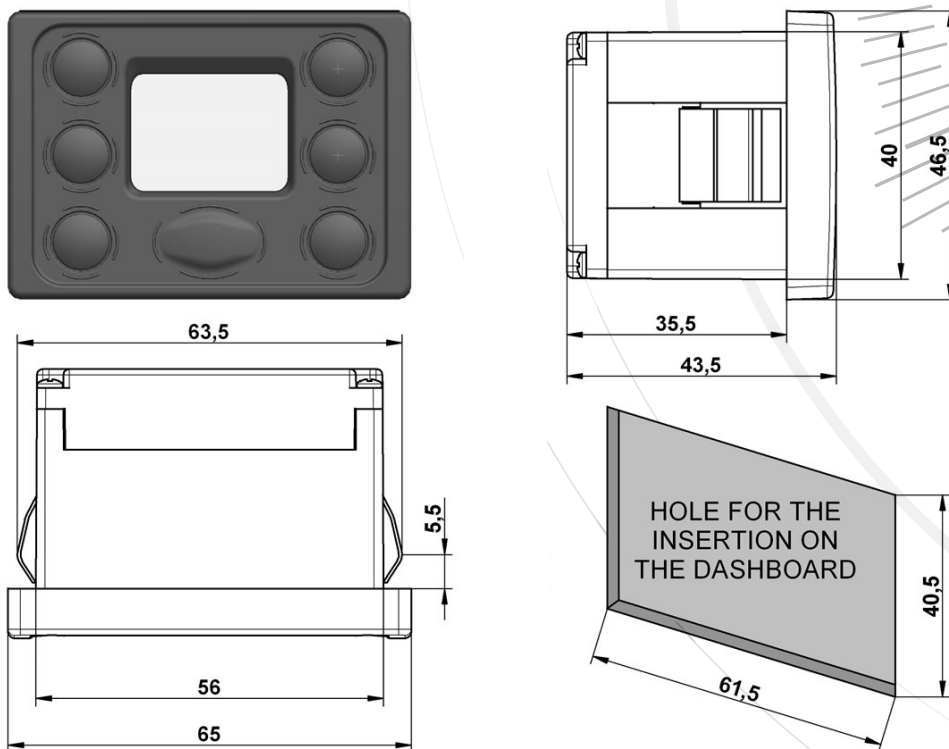
Despite having small dimensions, their powerful microprocessor enables them to obtain a very high performance.

### GENERAL PERFORMANCE, ELECTRONICAL AND ENVIRONMENTAL TEST

Operating Voltage Range:	10.5÷16V/18÷32V
Nominal Power Supply Voltage:	12V/24V
Over Voltage Protection	
Reverse Polarity Protection	
Short-Circuit Protection	
Output Rated Current, each pin:	max 400mA
Electromagnetic Compatibility according to UNECE Regulation No.10	
Operating Temperature Range:	from -40°C to 85°C
Storage Temperature Range:	from -40°C to 90°C
Dust/Water Resistance on the Front Panel:	IP43

COMES control units are developed to get the maximum flexibility. If you are interested in different functions or configurations, please contact our sales team for professional assistance.

### MECHANICAL DIMENSIONS





### FUNCTIONAL OVERVIEW

The control unit features seven push buttons and an LCD display, as below:

- Two push buttons for temperature adjustment
- Two push buttons for air flow
- A/C push button
- AUTO push button for full auto mode
- According to the version, either defrost, recirculation or heating push button (the latter activates an auxiliary heater)
- LCD: customised icons, TN, Transflective Positive, 12:00 or 6:00 o'clock viewing direction

When activating a function, the relevant icon becomes visible on the LCD display.

The control unit is fully backlit (all functions of the control unit are backlit to allow the user to easily find them in the hours of darkness) and available for both 12V and 24V systems.

The software mathematical model receives information from different temperature sensors:

- Cabin air sensor (internal)
- Outside air sensor (external)
- Anti-icing temperature sensor

On-board diagnosis with error code on display.

Available on demand:

- Interface for diagnosis
- Pressure switch failures (low/high pressure)



## Cooling Version Recirculation Push Button

PART NUMBER	P/N 12V	P/N 24V
Control Unit	V02.50.001	V02.50.001
Electronic Blower Speed Regulator Kit	Z19.01.135	Z19.01.142
Anti-icing Sensor	61.01.279	61.01.279
Internal Temperature Sensor	24.01.020	24.01.020
Connector and Pin Kit	61.01.301	61.01.301
Complete Kit (Relay not included)	Z01.50.001	Z01.50.002

### ACCESSORIES



Electronic Blower Speed Regulator



Internal Temperature Sensor



Anti-icing Sensor



## Climate Version Solenoid Water Valve Recirculation Push Button

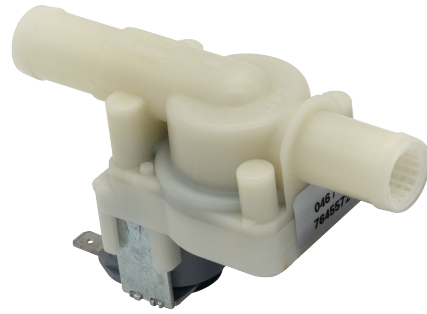
### PART NUMBER

	P/N 12V	P/N 24V
Control Unit	V02.50.003	V02.50.003
Solenoid Water Valve Kit	61.01.048	61.01.048
Electronic Blower Speed Regulator Kit	Z19.01.135	Z19.01.142
Anti-icing Sensor	61.01.279	61.01.279
External Temperature Sensor	24.01.019	24.01.019
Internal Temperature Sensor	24.01.020	24.01.020
Connector and Pin Kit	61.01.301	61.01.303
Complete Kit (Relay not included)	Z01.50.005	Z01.50.006

### ACCESSORIES



Electronic Blower Speed Regulator



Solenoid Water Valve



Internal Temperature Sensor



External Temperature Sensor



Anti-icing Sensor





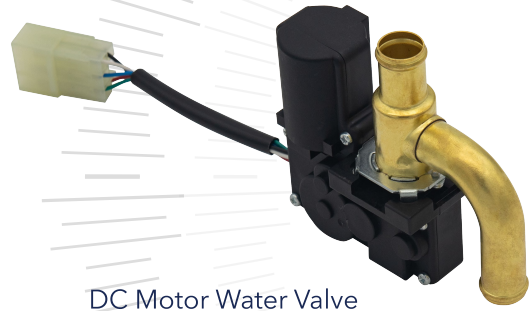
# Climate Version DC Motor Water Valve Recirculation Push Button

PART NUMBER	P/N 12V	P/N 24V
Control Unit	V02.50.006	V02.50.006
DC Motor Water Valve Kit	61.01.297	61.01.298
Electronic Blower Speed Regulator Kit	Z19.01.135	Z19.01.142
Anti-icing Sensor	61.01.279	61.01.279
External Temperature Sensor	24.01.019	24.01.019
Internal Temperature Sensor	24.01.020	24.01.020
Connector and Pin Kit	61.01.301	61.01.301
Complete Kit (Relay not included)	Z01.50.011	Z01.50.012

## ACCESSORIES



Electronic Blower Speed Regulator



DC Motor Water Valve



Internal Temperature Sensor



External Temperature Sensor





## Climate Version DC Motor Water Valve Heating Push Button

PART NUMBER	P/N 12V	P/N 24V
Control Unit	V02.50.007	V02.50.007
DC Motor Water Valve Kit	61.01.297	61.01.298
Electronic Blower Speed Regulator Kit	Z19.01.135	Z19.01.142
Anti-icing Sensor	61.01.279	61.01.279
External Temperature Sensor	24.01.019	24.01.019
Internal Temperature Sensor	24.01.020	24.01.020
Connector and Pin Kit	61.01.301	61.01.301
Complete Kit (Relay not included)	Z01.50.015	Z01.50.016

### ACCESSORIES



Electronic Blower Speed Regulator



DC Motor Water Valve



Internal Temperature Sensor



External Temperature Sensor



Anti-icing Sensor



**COMES** Electronic Climate Control  
Via Don Fracassi 25/27  
20008 Bareggio - Milano - Italy

P +39 02 90361787  
E [info@comesclima.it](mailto:info@comesclima.it)  
W [www.comesclima.it](http://www.comesclima.it)