

SKL

Single Knob Line



COMES
ELECTRONIC CLIMATE CONTROL

SKL

Single Knob Line

Control Units in this line, as the name suggests, are characterised by a single knob and consequent small dimensions. They are designed to be easily used to manage one or, in some cases, two of the following functions in the HVAC system: electronic thermostat, heating, ventilation (the speed control ventilation is supplied with electronic speed regulator), air conditioning ON/OFF, etc. Depending on the function, the control panel can also be ordered as a complete kit.

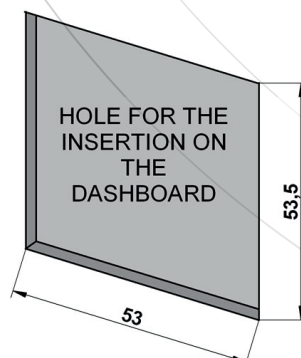
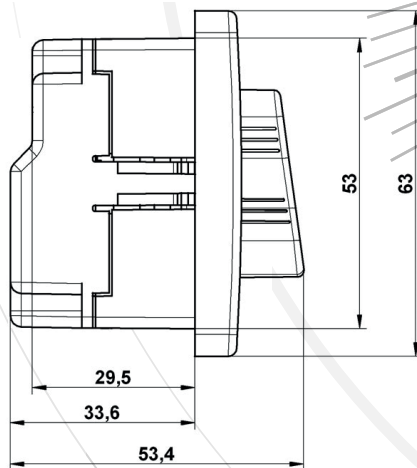
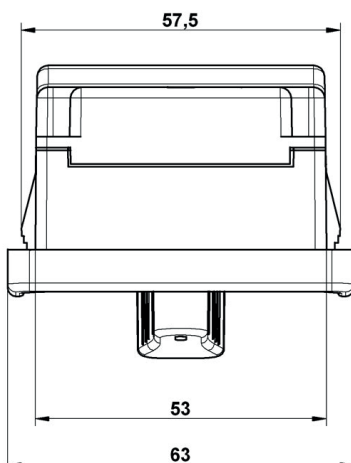
The control unit is fully backlit (all functions of the control unit, including the knob, are backlit).

COMES control units are developed to get the maximum flexibility. If you are interested in different functions or configurations, please contact our sales team for professional assistance.

GENERAL PERFORMANCE, ELECTRONICAL AND ENVIRONMENTAL TESTS

Operating Voltage Range:	10.5÷16V/18÷32V
Nominal Power Supply Voltage:	12V/24V
Output Rated Current, each pin:	max 400mA
Operating Temperature Range:	from -40°C to 85°C
Storage Temperature Range:	from -40°C to 90°C
Dust/Water Resistance on the Front Panel:	IP43
Over Voltage Protection	
Reverse Polarity Protection	
Short-Circuit Protection	
Electromagnetic Compatibility according to UNECE Regulation No. 10	

MECHANICAL DIMENSIONS





DC Motor Water Valve Controller



**DC Motor Water Valve Controller
with A/C Option**



Electronic Blower Speed Controller



**Electronic Blower Speed Controller
with A/C Option**



Electronic Thermostat Controller



**Electronic Thermostat Controller
with A/C Option**



DC Motor Water Valve Controller

PART NUMBER	P/N 12V	P/N 24V
Control Unit	V02.60.003	V02.60.003
DC Motor Water Valve Kit	61.01.297	61.01.298
Connector and Pin Kit	61.01.316	61.01.316
Complete Kit	Z01.60.005	Z01.60.006

FUNCTIONAL OVERVIEW

This control unit manages a DC motor water valve. It controls the heating by turning the control knob. Depending on the position of the knob, the water valve is opened.



DC Motor Water Valve Controller with A/C Option

PART NUMBER	P/N 12V	P/N 24V
Control Unit	V02.60.004	V02.60.004
DC Motor Water Valve Kit	61.01.297	61.01.298
Connector and Pin Kit	61.01.316	61.01.316
Complete Kit (Relay not included)	Z01.60.007	Z01.60.008

FUNCTIONAL OVERVIEW

This control unit is designed to manage the following functions in the vehicle HVAC system:

- Heating (by rotating the control knob)
- Air Conditioning ON/OFF (by pressing the knob)

When the A/C is ON, the relevant symbol on the keyboard is lit up.



Electronic Blower Speed Controller

PART NUMBER	P/N 12V	P/N 24V
Control Unit	V02.60.005	V02.60.005
Electronic Blower Speed Kit	Z19.01.135	Z19.01.142
Connector and Pin Kit	61.01.316	61.01.316
Complete Kit	Z01.60.009	Z01.60.010

FUNCTIONAL OVERVIEW

This control unit is designed to manage the ventilation in the HVAC system, by rotating the control knob.



Electronic Blower Speed Controller with A/C Option

PART NUMBER	P/N 12V	P/N 24V
Control Unit	V02.60.006	V02.60.006
Electronic Blower Speed Kit	Z19.01.135	Z19.01.142
Connector and Pin Kit	61.01.316	61.01.316
Complete Kit (Relay not included)	Z01.60.011	Z01.60.012

FUNCTIONAL OVERVIEW

This control unit is designed to manage the following functions in the vehicle HVAC system:

- Ventilation (by rotating the control knob)
- Air Conditioning ON/OFF (by pressing the knob)

When the A/C is ON, the relevant symbol on the keyboard is lit up.



Electronic Thermostat Controller

PART NUMBER	P/N 12V	P/N 24V
Control Unit	V02.60.007	V02.60.007
Anti-icing Temperature Sensor Kit	61.01.279	61.01.279
Kit of Connectors and Pins	61.01.316	61.01.316
Complete Kit (Relay not included)	Z01.60.013	Z01.60.014

FUNCTIONAL OVERVIEW

This control unit is designed to manage the air conditioning, by rotating the control knob.



Electronic Thermostat Controller with A/C Option

PART NUMBER	P/N 12V	P/N 24V
Control Unit	V02.60.008	V02.60.008
Anti-icing Temperature Sensor Kit	61.01.279	61.01.279
Kit of Connectors and Pins	61.01.316	61.01.316
Complete Kit (Relay not included)	Z01.60.015	Z01.60.016

FUNCTIONAL OVERVIEW

This control unit is designed to manage the following functions in the vehicle HVAC system:

- Air Conditioning (by rotating the control knob)
- A/C compressor ON/OFF (by pressing the knob)

When the A/C is ON, the relevant symbol on the keyboard is lit up.

ACCESSORIES



Electronic Blower Speed Regulator



DC Motor Water Valve



Anti-icing Sensor



COMES Electronic Climate Control
Via Don Fracassi 25/27
20008 Bareggio - Milano - Italy

P +39 02 90361787
E info@comesclima.it
W www.comesclima.it