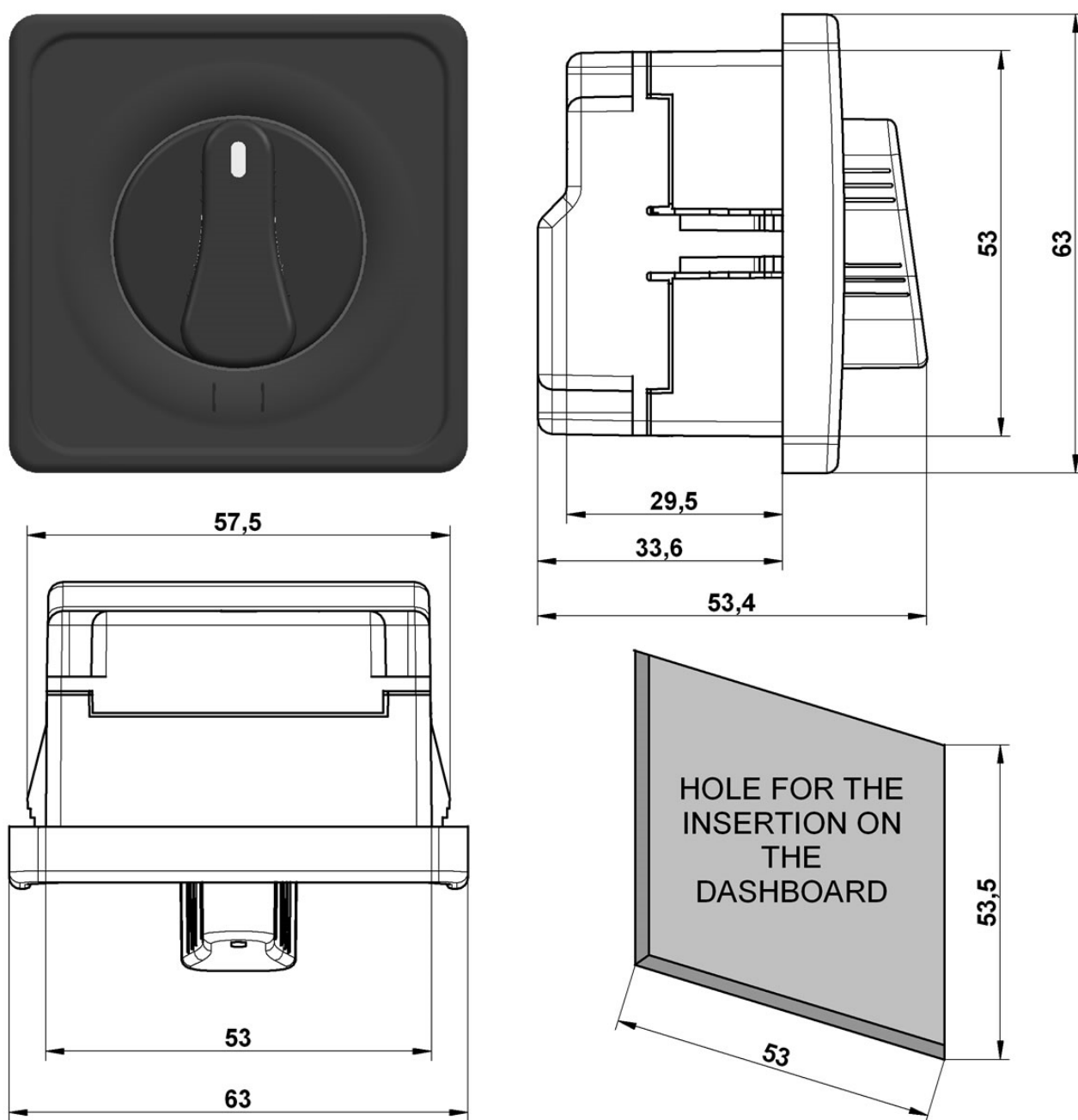


SKL - Single Knob Line

Electronic Thermostat Controller Termostato Elettronico

Z01.60.013 (12V) - Z01.60.014 (24V)

MECHANICAL DIMENSIONS DIMENSIONI MECCANICHE



LIST OF MATERIALS
ELENCO COMPONENTI

Description Descrizione	Q.ty Q.tà	P/N 12V	P/N 24V
Control Unit Centralina	01	V02.60.007	V02.60.007
Anti-icing Temperature Sensor Kit Kit Sensore Antibrina	01	61.01.279	61.01.279
Connector and Pin Kit Kit Pin e Connettori	01	61.01.316	61.01.316
Complete Kit (Relay not included) Kit Completo (Relè non incluso)	01	Z01.60.013	Z01.60.014